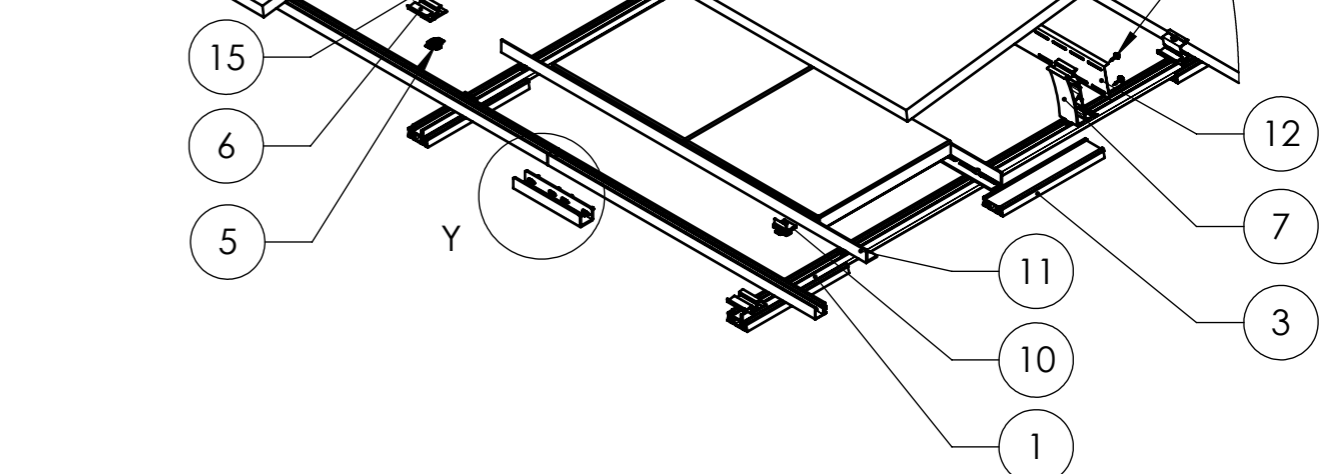
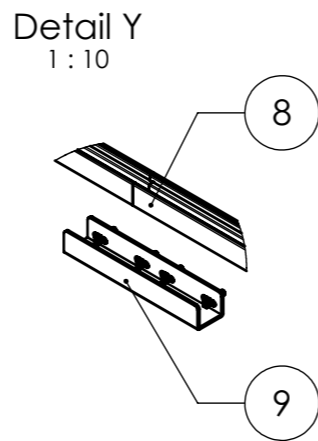



Pos.No.	Designation	optional
1	BasicRail 22	
2	Dome FlatConnector Set	X
3	Dome Mat S 380	
4	DomeClamp EC Set	
5	MK2	
6	Dome 6.10 SD	
7	Dome 6.10 Peak	
8	SingleRail 36 light	
9	SingleRail 36 Connector Set	X
10	Climber Set	
11	Dome Porter Flex	X
12	S-Dome 6.10 Windbreaker LS	
13	CabelManager	X
14	Self tapping screw	
15	Socket head bolt serrated - sim. ISO 4762 - M8x20	
16	Module	





K2 Systems GmbH
Industriestr. 18
71272 Renningen
Germany
+49 7159 42059-0

Designation:

Data sheet

S-Dome 6.10 Classic LS

Item no.: ---

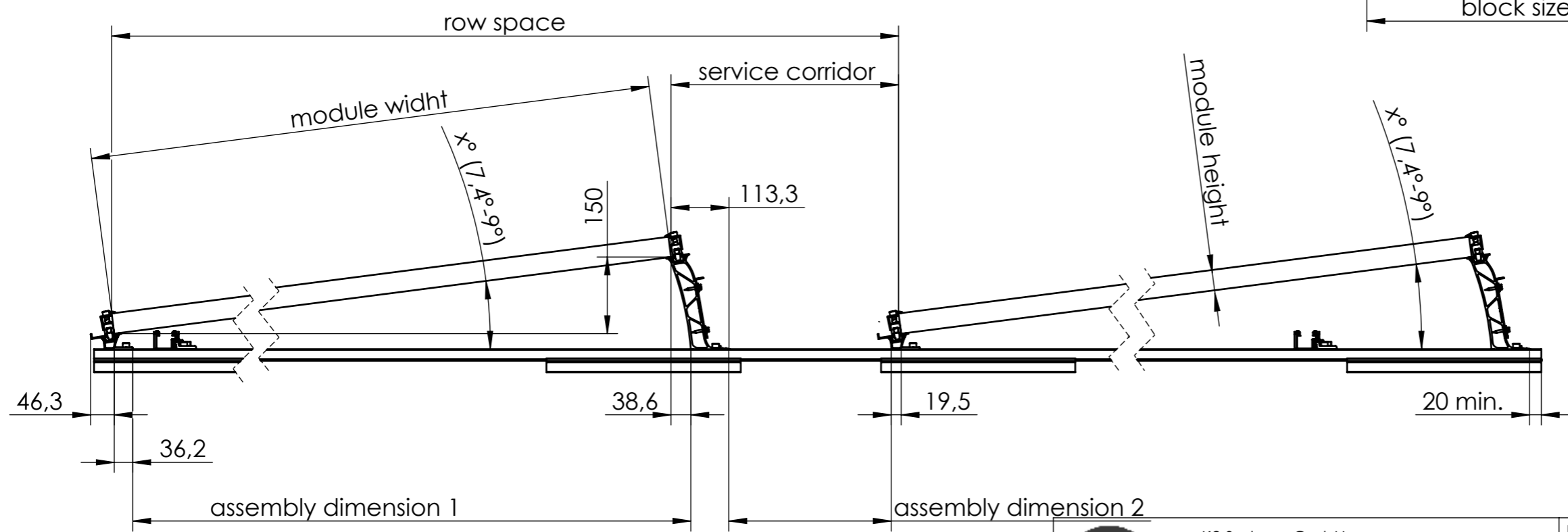
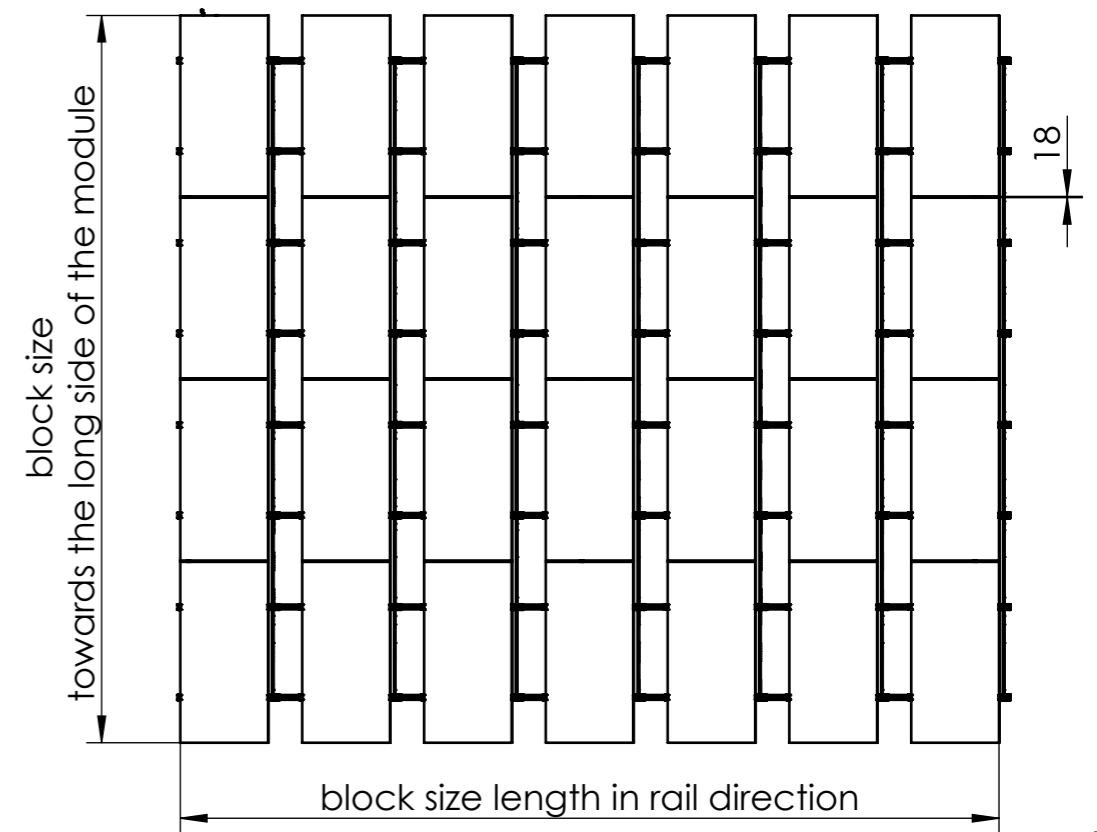
Drawing no.: 07-484-09

Scale: 1:20

Name	Date	Material:	Item no.:	A3
Designed	J. Dages	20.04.2021	-	
Approved	E. Markou	05.05.2023	Surface: -	All dimensions in mm
Last change	A. Gerstenberger	05.05.2023	Weight: -	Sheet 1 of 2

This drawing is the sole property of K2 Systems GmbH. It is protected by copyright and may only be copied, reproduced or distributed to a third party with explicit permission!

Plan view
1:100



$x^\circ = \arcsin(150/\text{modulwidth})$
 assembly dimension 1 = module width * $\cos(x^\circ)$ - 36,2 + 38,6
 assembly dimension 2 = row space - module width * $\cos(x^\circ)$ - 38,6 - 74,7 - 19,5
 service corridor = row space - module width * $\cos(x^\circ)$
 block size length in rail direction = row space * number of row - 1 * service corridor + 20 + 113,3 + 46,3
 block size towards the long side of the module = (module length + 18) * number of rows - 18

K2 Systems GmbH
 Industriestr. 18
 71272 Renningen
 Germany
 +49 7159 42059-0

Name	Date	Material:	Item no.:
Designed J. Dages	20.04.2021	-	---
Approved E. Markou	05.05.2023	Surface: -	Drawing no.: 07-484-09
Last change A. Gerstenberger	05.05.2023	Weight: -	Scale: 1:10

Designation: **Data sheet**
S-Dome 6.10 Classic LS
 AssemblyDimension

	A3
All dimensions in mm	Sheet 1 of 2

This drawing is the sole property of K2 Systems GmbH. It is protected by copyright and may only be copied, reproduced or distributed to a third party with explicit permission!