

CHECKLIST FLATROOF

Please complete this form and send it by Mail to info@k2-systems.de or by fax to +49 (0) 7159 42059-209



MOUNTING SYSTEM D-DOME 6.10

MOUNTING SYSTEM TILTUP VENTO

MOUNTING SYSTEM S-DOME 6.10

MOUNTING SYSTEM GREENROOF VENTO

MOUNTING SYSTEM DOME ZERO

Project details

NAME OF CUSTOMER

NAME OF PROJECT

Location

STREET / NO.

POSTCODE / CITY / COUNTRY

TEL. NO. FOR SHIPPING NOTIFICATION (NOTIFICATION OF DELIVERY)

Location/Site details

ALTITUDE m

WIND LOAD m/s kN/m²

SNOW LOAD (S_k) kN/m²

Topographic situation

CATEGORY 0
LAKESIDE OR COASTAL AREA



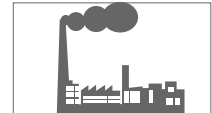
CATEGORY 1
FLAT FIELD WITH AND WITHOUT
FEW OBSTACLES



CATEGORY 2
FIELD WITH HEDGES



CATEGORY 3
URBAN ZONE INDUSTRIAL AREA



CATEGORY 4
URBAN AREA



Obstacles

SKYLIGHTS

VENT/CHIMNEY

AERIAL

VOIDS

LENGTH m

WIDTH m

HEIGHT m

Building / Roof data

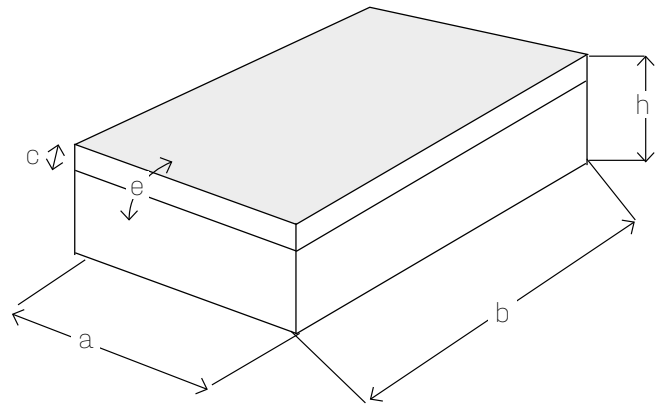
_____ m
A ROOF WIDTH

_____ m
B ROOF LENGTH

_____ m
C PARAPET WALL HEIGHT

_____ m
H BUILDING HEIGHT

_____ °
E ROOF PITCH



Flat roof (Roof covering)

Membrane/PVC

_____ mm
MANUFACTURER (IF KNOWN)

_____ COEFFICIENT OF FRICTION

Bituminous

_____ MANUFACTURER (IF KNOWN)

_____ COEFFICIENT OF FRICTION

_____ mm
ADDITIONAL GRAVEL FILL

ROOF PENETRATION POSSIBLE
YES NO

_____ kg/m²
ALLOWED VALUE OF ADDITIONAL LOADS ONTO EXIST. ROOF CONSTRUCTION

_____ GREEN/BROWN ROOF

_____ OTHER

Module types / data

_____ MODULE TYPE

_____ WP
MODULE OUTPUT

_____ KG
MODULE WEIGHT

MODULE CLAMPING
LONG SIDE SHORT SIDE

_____/_____/_____ MM
MODULE DIMENSIONS

_____ PCS.
NO'S OF MODULES (project-based)

MODULE ORIENTATION
LANDSCAPE PORTRAIT



Required documents

Please add the following documents to the checklist:

- / MODULE LAYOUT PLAN
- / ORIENTATION (SOUTH, NORTH)
- / PICTURES OF ROOF (IF AVAILABLE)

Sketch / characteristics / explanatory notes

A large, empty grid of small squares, intended for drawing a sketch or providing explanatory notes. The grid consists of 20 columns and 40 rows.

Please be aware that our General Assembly Regulations must be adhered to. They can be viewed under www.k2-systems.com/en/downloads/product-information.html