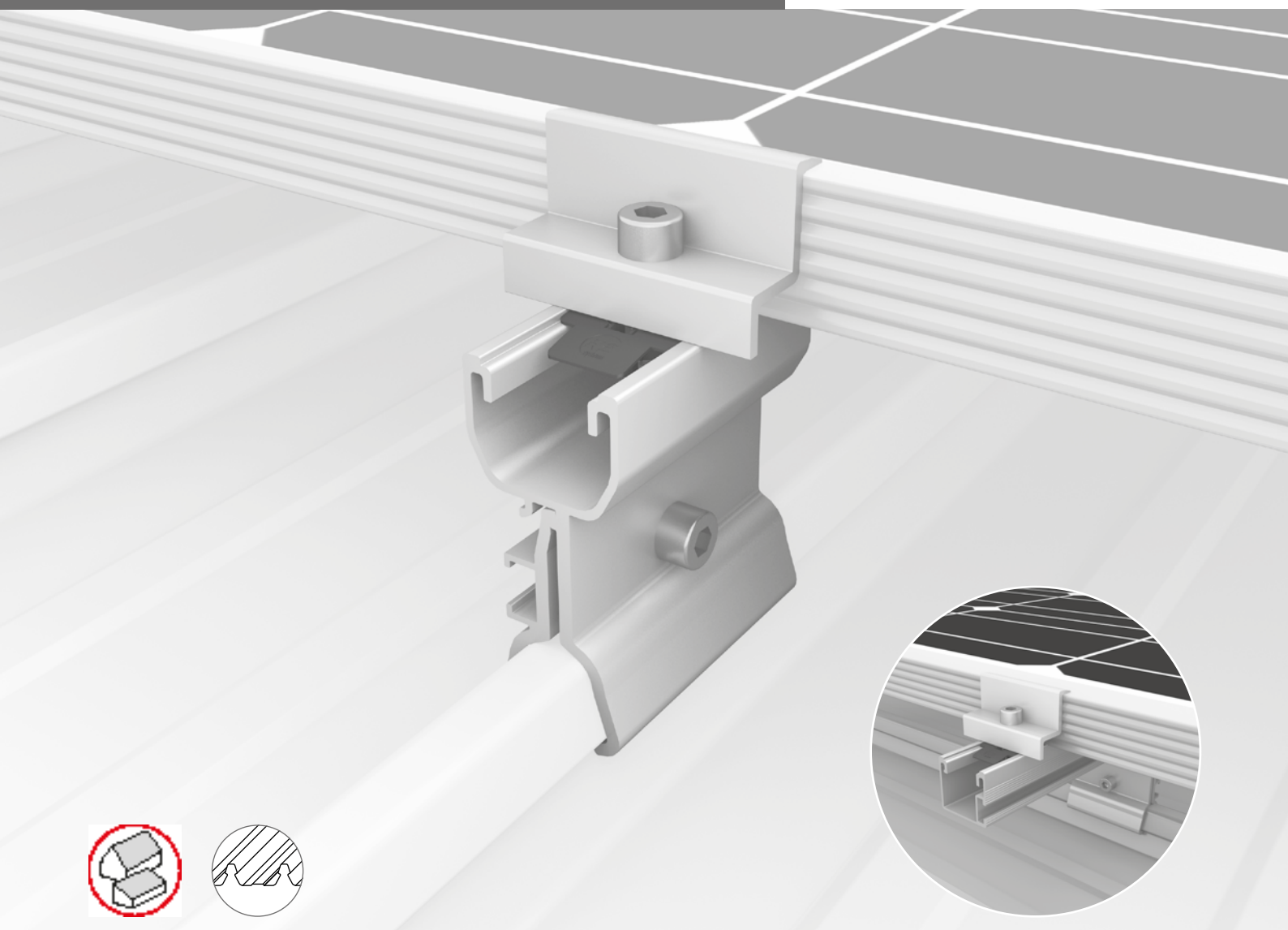


We support PV systems



Universal KL-Clamp System

ASSEMBLY INSTRUCTIONS



Content

▶ Tools overview	3
▶ General safety information	4
▶ The following guidelines apply	5
· Planning with K2 Base	5
· Roof requirements	5
· Structural requirements	5
· Important mounting instructions	5
▶ Components	6
· Landscape orientation	6
· Portrait orientation	7
▶ Assembly	8
· Landscape orientation	8
· Portrait orientation and SingleRail layer	11
▶ Optional assembly steps	15
· Module frame grounding	15
· Ground Lug installation	15

Quality tested – several certifications

K2 Systems stands for secure connections, highest quality and precision. Our customers and business partners have known that for a long time. Independent institutes have tested, confirmed and certified our capabilities and components.

Please find our quality and product certificates under:
k2-systems.com/en/technical-information

Tools overview



6 mm



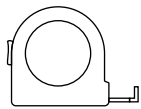
8 mm



6 - 35 Nm
[4.5 - 22.2 lb-ft]



6 mm



≥ 3.0 m



≥ 6.0 m

Digital Toolbox



Do you already know our digital services? Use our K2 DocuApp now and record the first important data directly at the customer or project site. Simply import the data into our online planning software K2 Base. Here you can plan your project easily, safely and quickly. You receive a detailed project report with assembly plan and static report. The K2+ interface enables seamless project data transfer to the planning tools of other manufacturers. With the K2 DocuApp, project documentation is done quickly and easily - without annoying paperwork.

Get started now and register:

base.k2-systems.com →

docuapp.k2-systems.com →

General safety information

Please note that our general mounting instructions must be followed at all times and can be viewed online at k2-systems.com/en/technical-information

- ▶ The equipment may only be installed and operated by qualified and adequately trained installers.
- ▶ Prior to installation, ensure that the product complies with on-site static loading requirements. For roof-mounted systems, the roof load-bearing capacity must always be checked.
- ▶ National and local building regulations and environmental requirements must be adhered to.
- ▶ Compliance with health and safety regulations, accident prevention guidelines and applicable standards is required.
 - Protective equipment such as safety helmet, boots and gloves must be worn.
 - Roofing works must be in accordance with roofing regulations utilising fall protection safeguards when eaves height exceeds 3 m.
 - At least two people must be present for the duration of the installation work in order to provide rapid assistance in the event of an emergency.
- ▶ K2 mounting systems are continuously developed and improved and the installation process may thereby change at any time. Prior to installation consult our website at www.k2-systems.com/en/technical-information for up-to-date instructions. We can send you the latest version on request.
- ▶ The assembly instructions of the module manufacturer must be adhered to.
- ▶ Equipotential bonding/grounding/earthing between individual parts is to be performed according to country specific standards, as well as national laws and regulations.
- ▶ At least one copy of the assembly instructions should be available on site throughout the duration of the installation.
- ▶ Failure to adhere to our general safety and assembly instructions and not using all system components, K2 is not liable for any resulting defects or damages. We do not accept liability for any damage resulting in the use of competitor's parts. Warranty is excluded in such cases.
- ▶ German law including Australian Building Code requirements shall apply excluding the UN Convention on CISG. Place of venue is Stuttgart. Our General Terms of Business apply.
- ▶ If all safety instructions are adhered to and the system is correctly installed, there is a product warranty entitlement of 12 years! We strongly recommend reviewing our terms of guarantee, which can be viewed at www.k2-systems.com/en/technical-information We will also send this information on request.
- ▶ Dismantling of the system is performed in reverse order to the assembly.
- ▶ K2 stainless steel components are available in different corrosion resistance classes. Each structure or component must be carefully checked for possible corrosion exposure.

The following guidelines apply

The Universal KL Clamp system can be installed as standard under the following conditions. Even if the system is capable of meeting higher demands through the integration of safety standards, please get in touch with your contact at K2 Systems if the specified values are exceeded.

Planning with K2 Base

We recommend our free online software K2 Base for the planning. In five steps, you can plan the right assembly system and get a construction recommendation, parts list and the structural analysis report. Simply register and start planning: base.k2-systems.com

Important mounting instructions

- ▶ On-site general standards and regulations for lightning protection must be observed and consultation with a specialist to create a lightning protection concept is recommended (use lightning protection clamp if necessary).
- ▶ Minimum spacing of 50 mm between rail end and module frame. We recommend a thermal separation after maximum of 6,1m.
- ▶ Follow the manufacturer's instructions for the clamping area of the module clamps and for mounting the modules (see module data sheet of the manufacturer) - tighten with M8 screw and 14 Nm.

Roof requirements

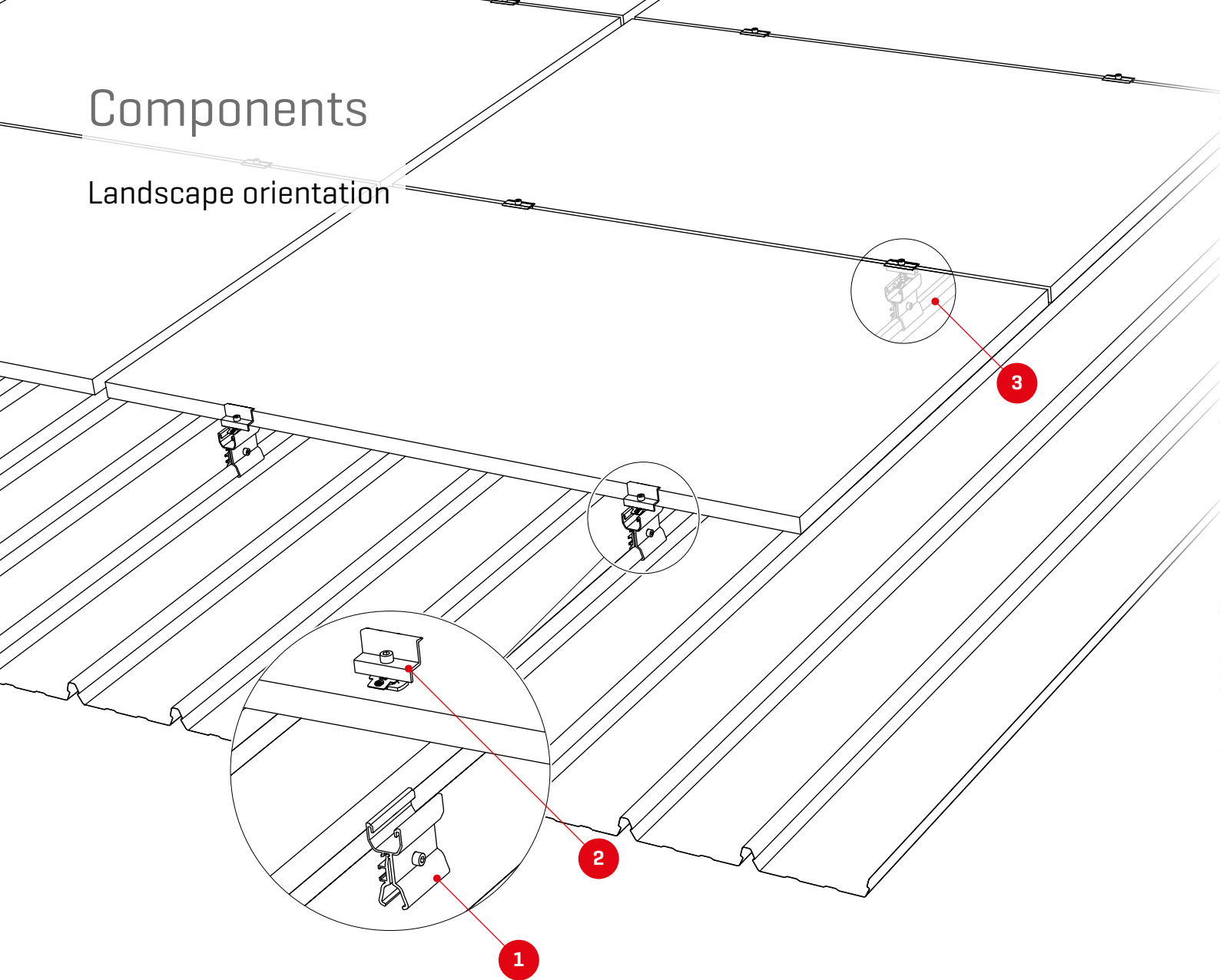
- ▶ Approved for the following roof types:
 - Lysaght: KlipLok 406, KlipLok 700 classic, Klip-Lok 700 hi-strenght, Klip-Lok Optima
 - Global Roofing Solutions: Klip Tite 700
 - Fielders: KingKlip 700
- ▶ Roof pitch: up to 20°

Structural requirements

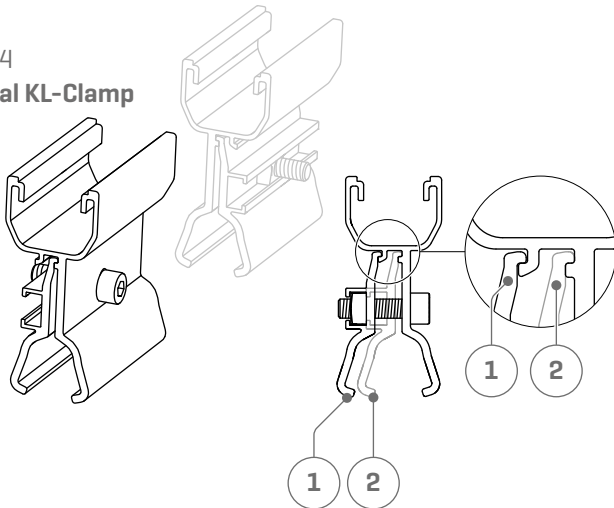
The sufficient holding force of the roof covering at the support or substructure must be ensured on site.

Components

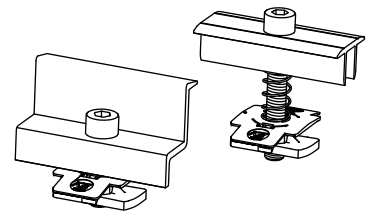
Landscape orientation



1 2004124
Universal KL-Clamp



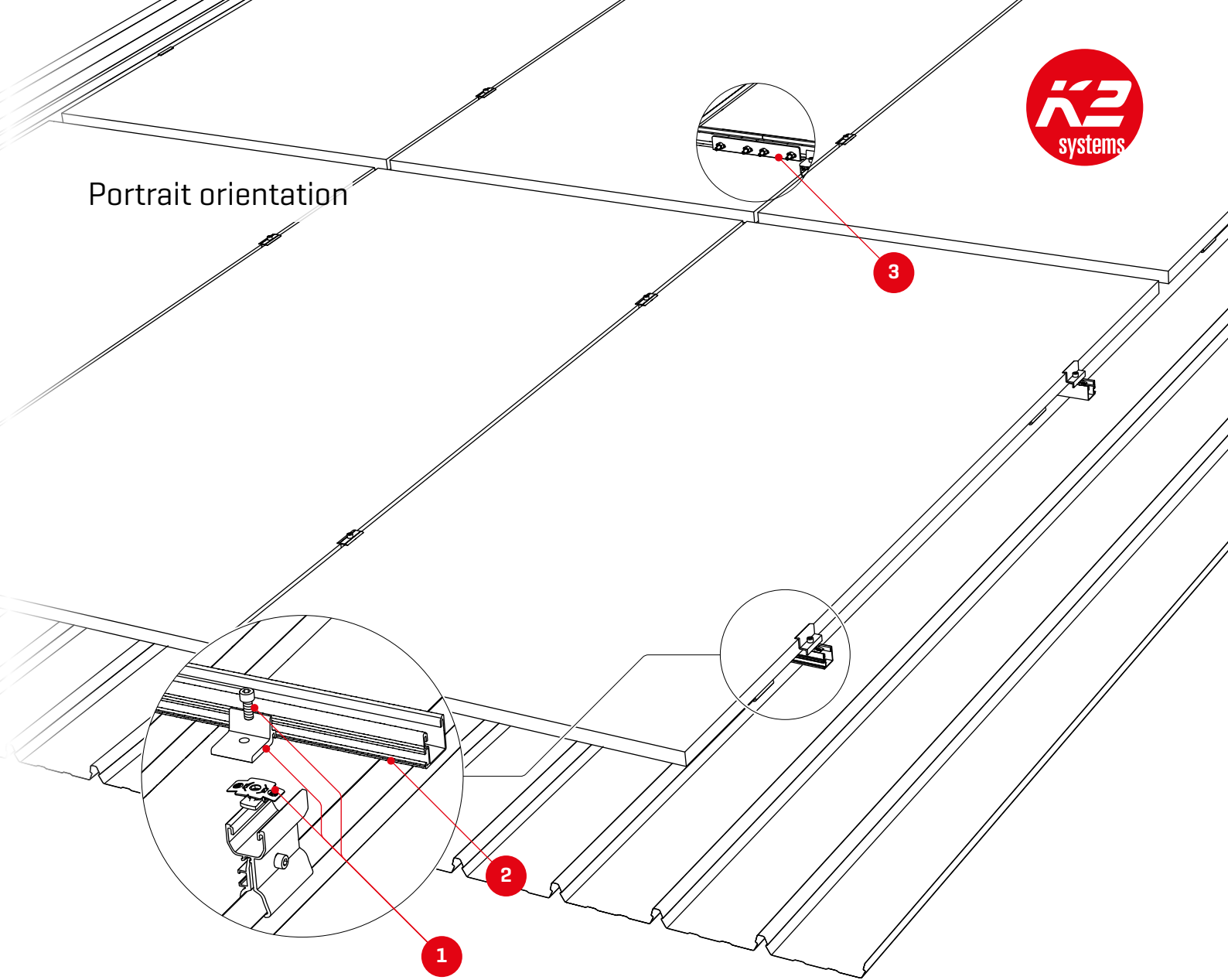
2 3 Article number project specific!
Module Clamp EC / MC



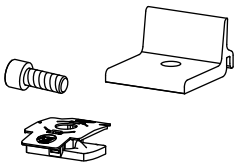
Roofing adjustments:

- 1** ▶ Lysaght™: Klip-Lok 700 Hi-strength® and Klip-Lok Optima® 700
▶ Fielders: KingKlip 700
- 2** ▶ Lysaght™: Klip-Lok 406® and Klip-Lok 700 Classic
▶ Global Roofing Solutions: Klip Tite 700

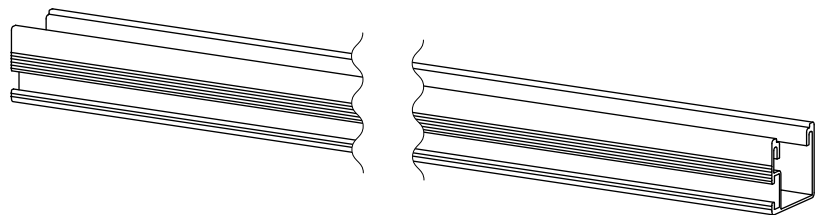
Portrait orientation



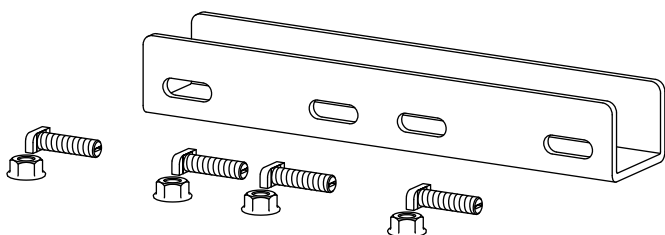
1 2003145
Climber 36/50 Set



2 Article number project specific!
SingleRail 36

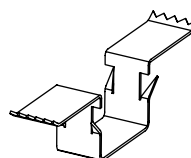


3 2001976
SingleRail 36 Connector Set

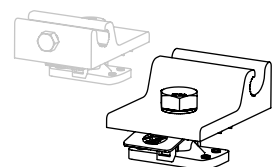


Optional

2001881
TerraGrif K2SZ for module
frame grounding

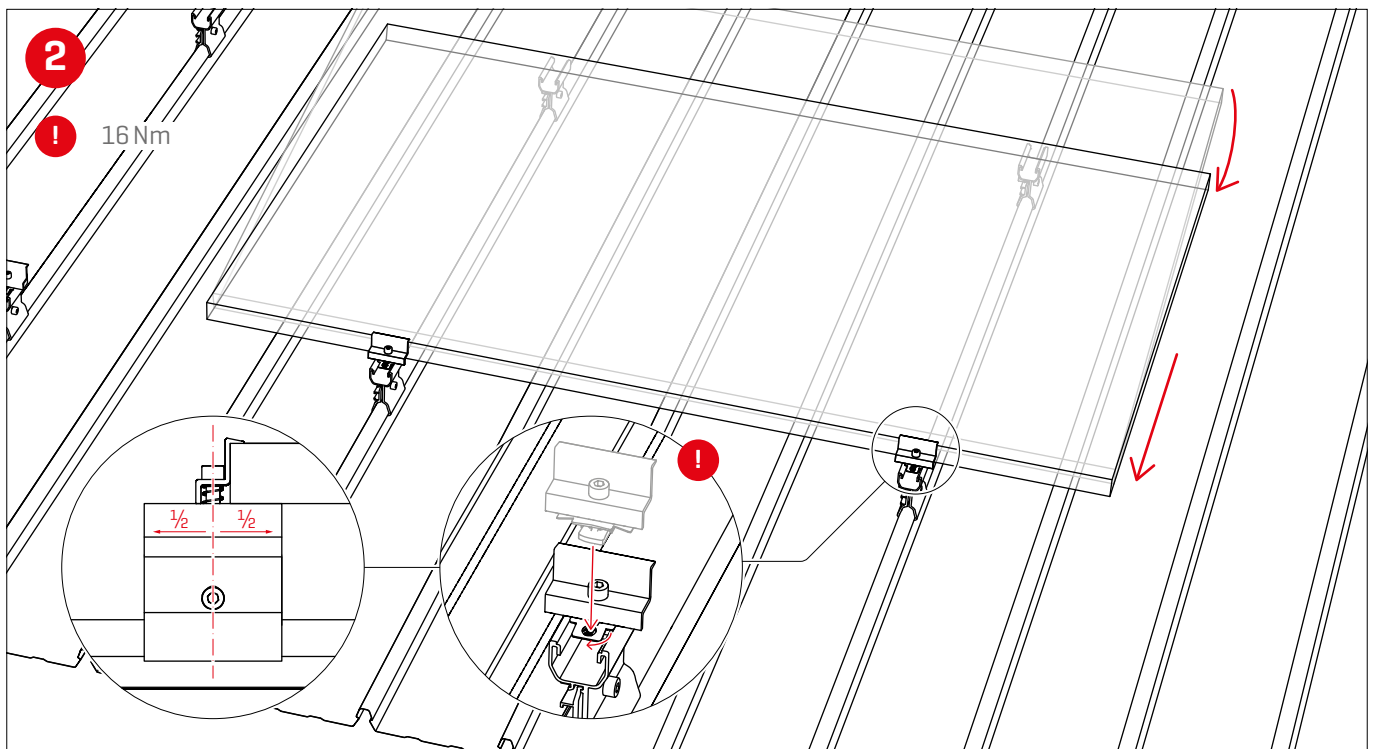
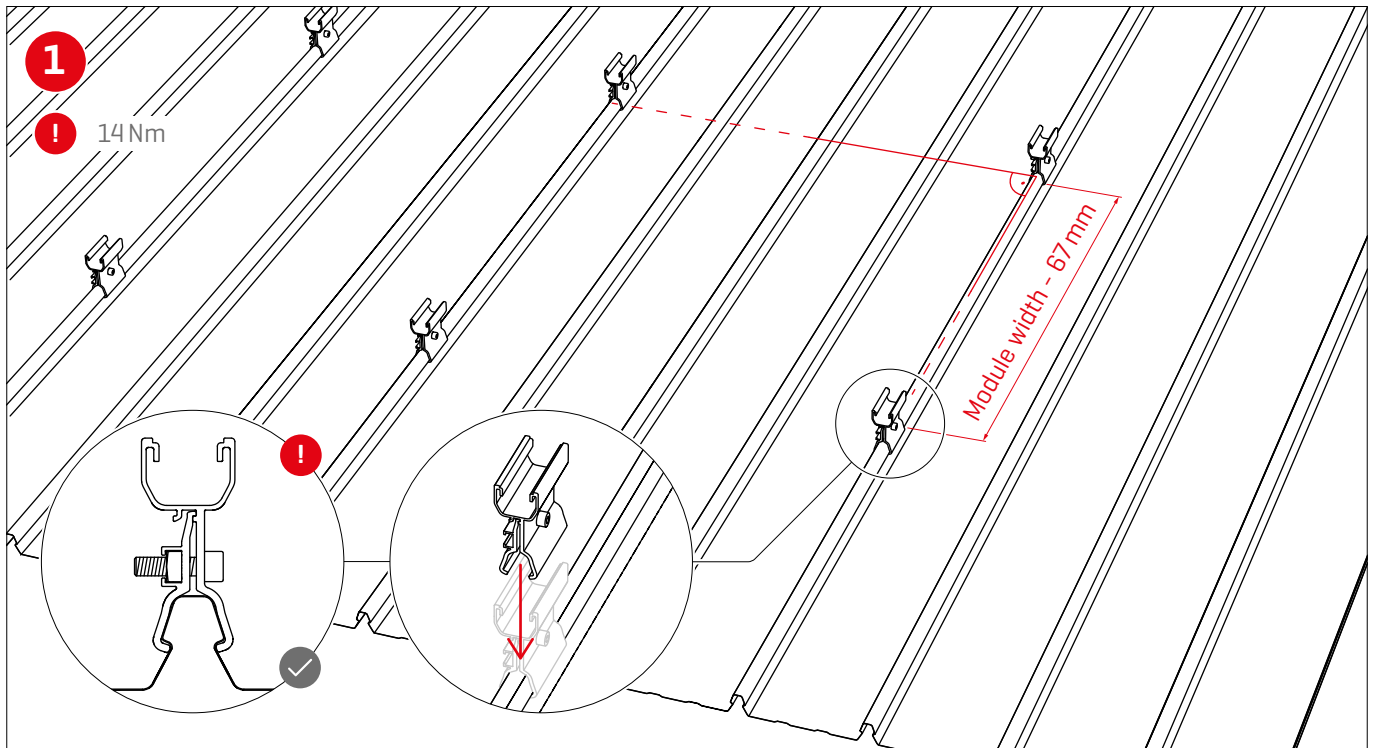


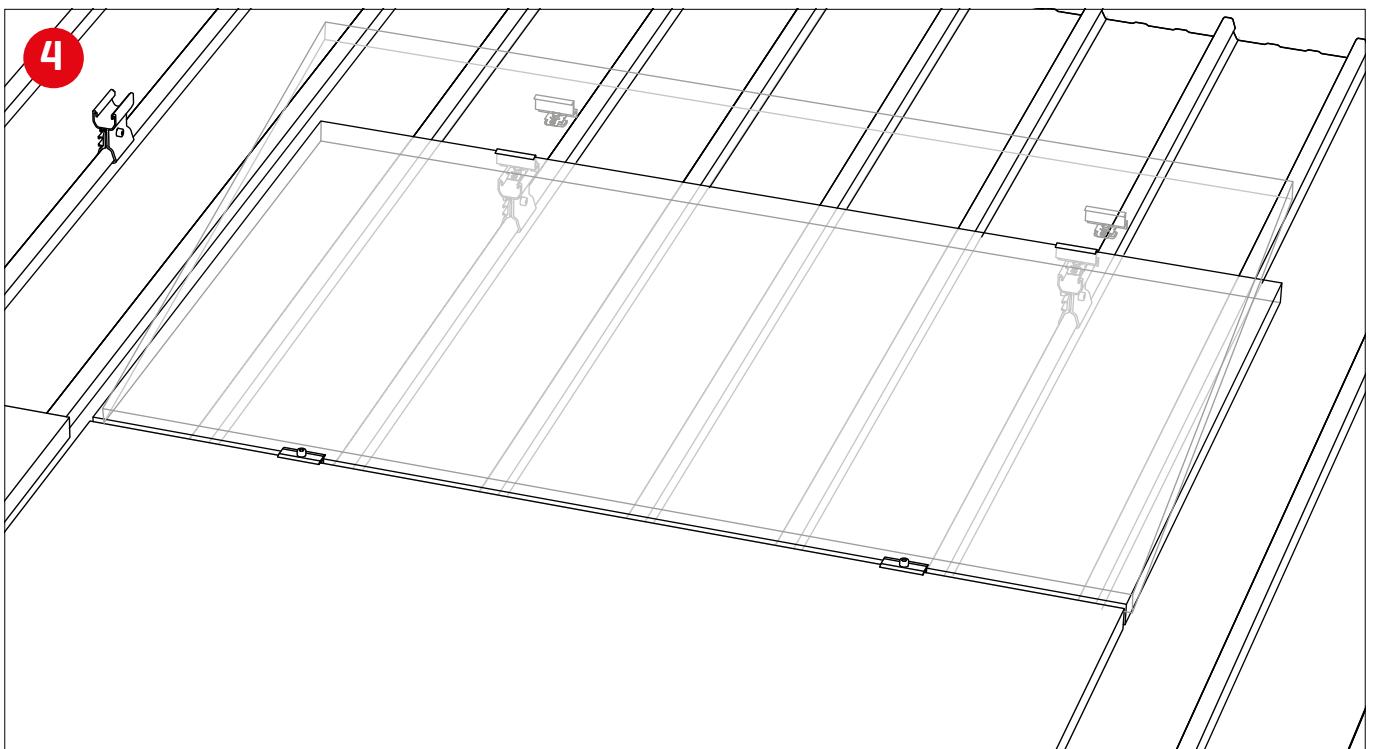
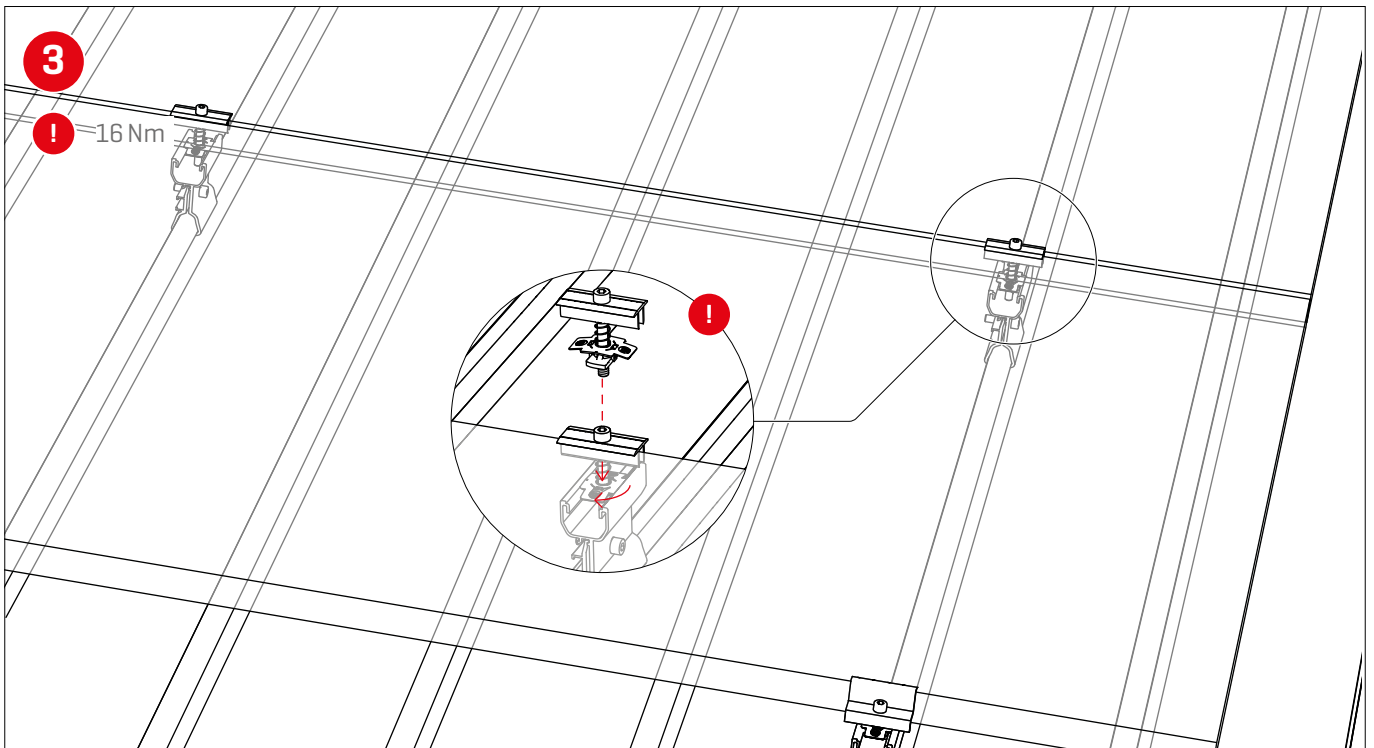
4000006-H
Ground Lug, 13 mm hex

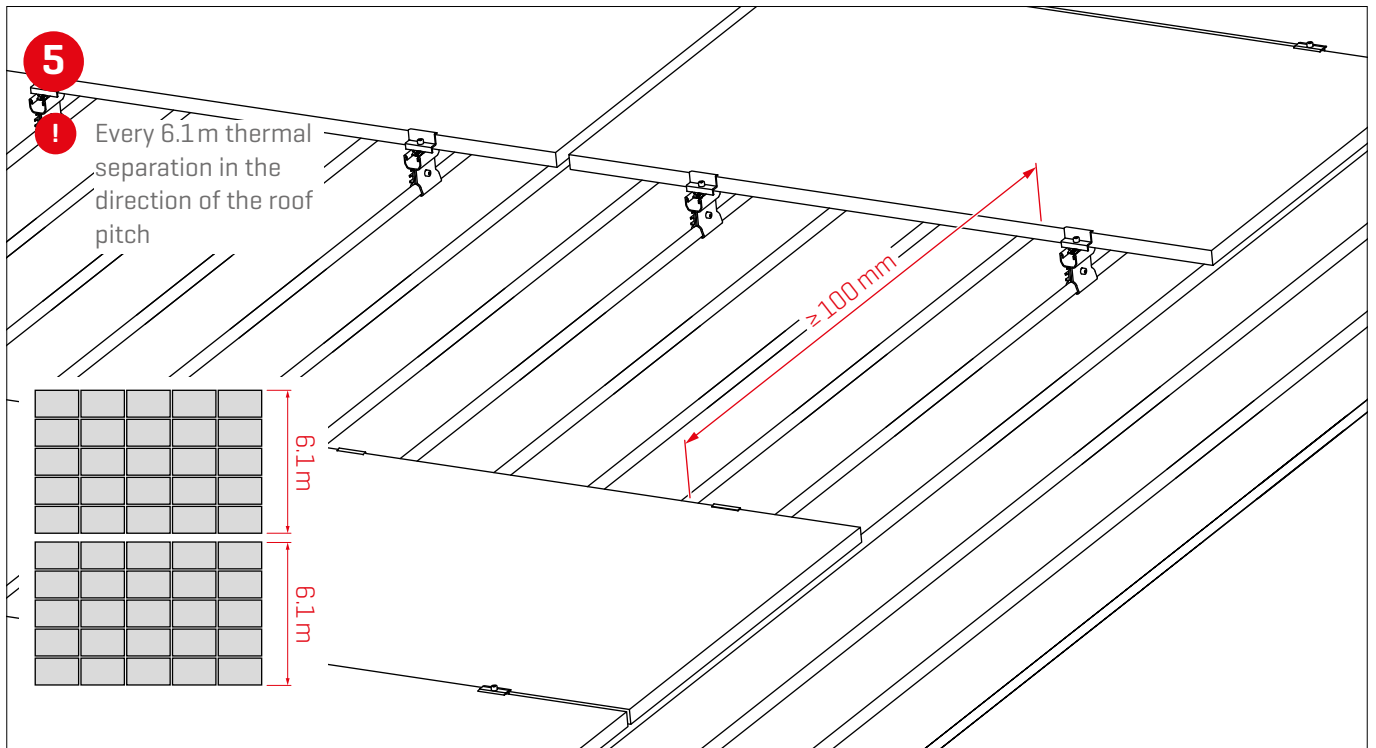


Assembly

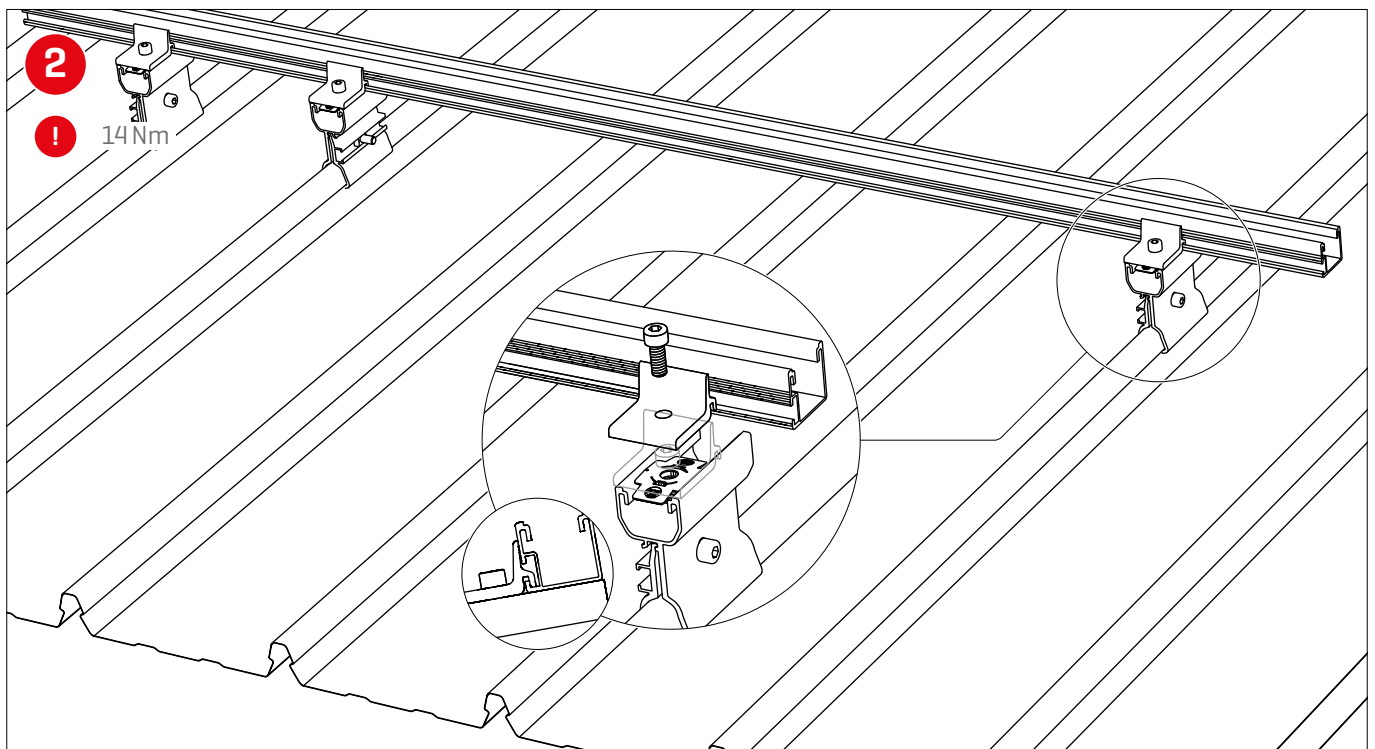
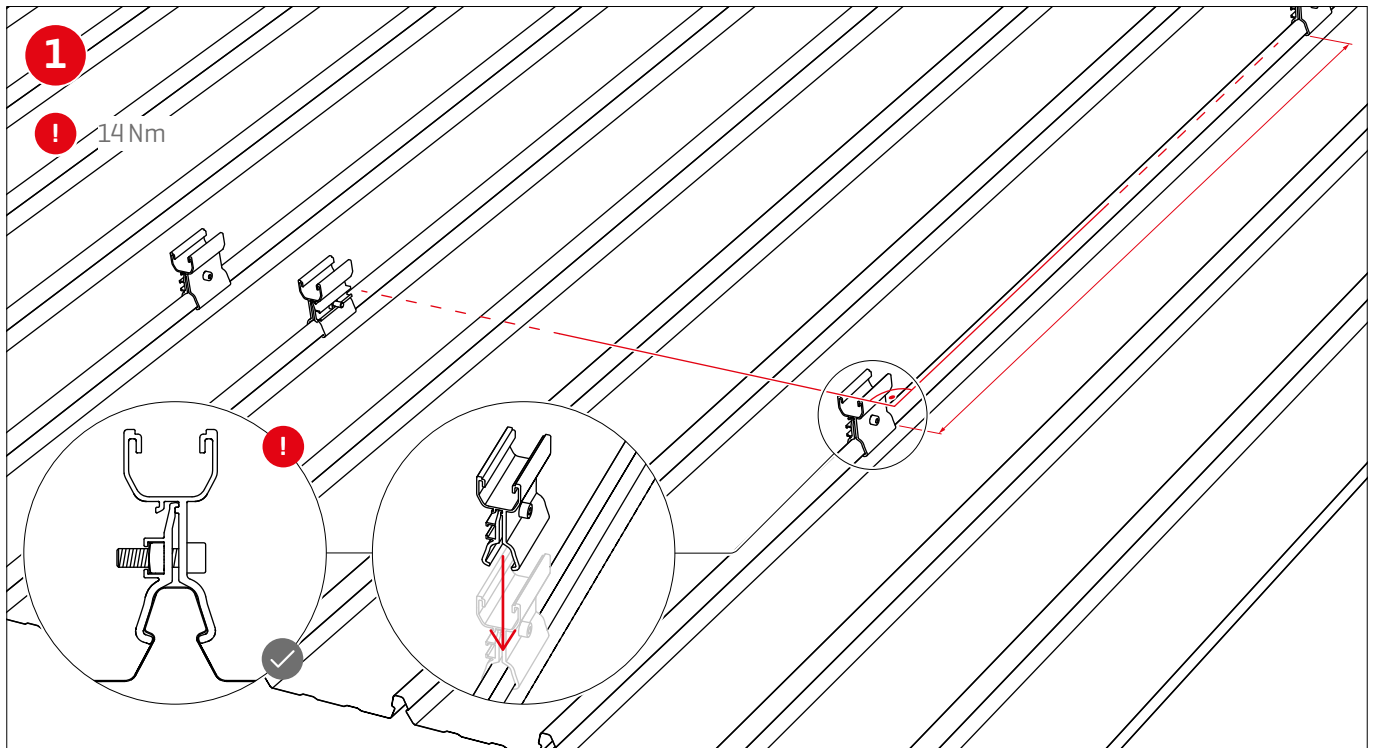
Landscape orientation

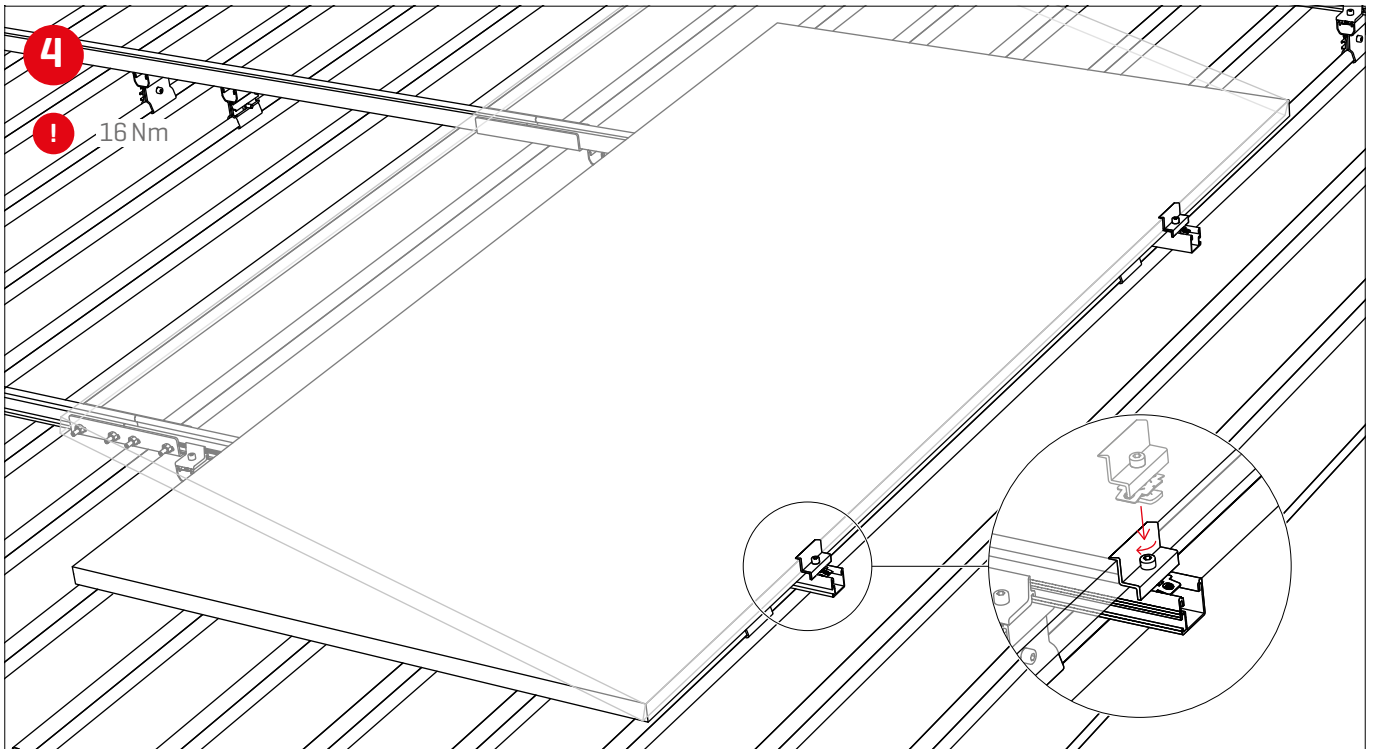
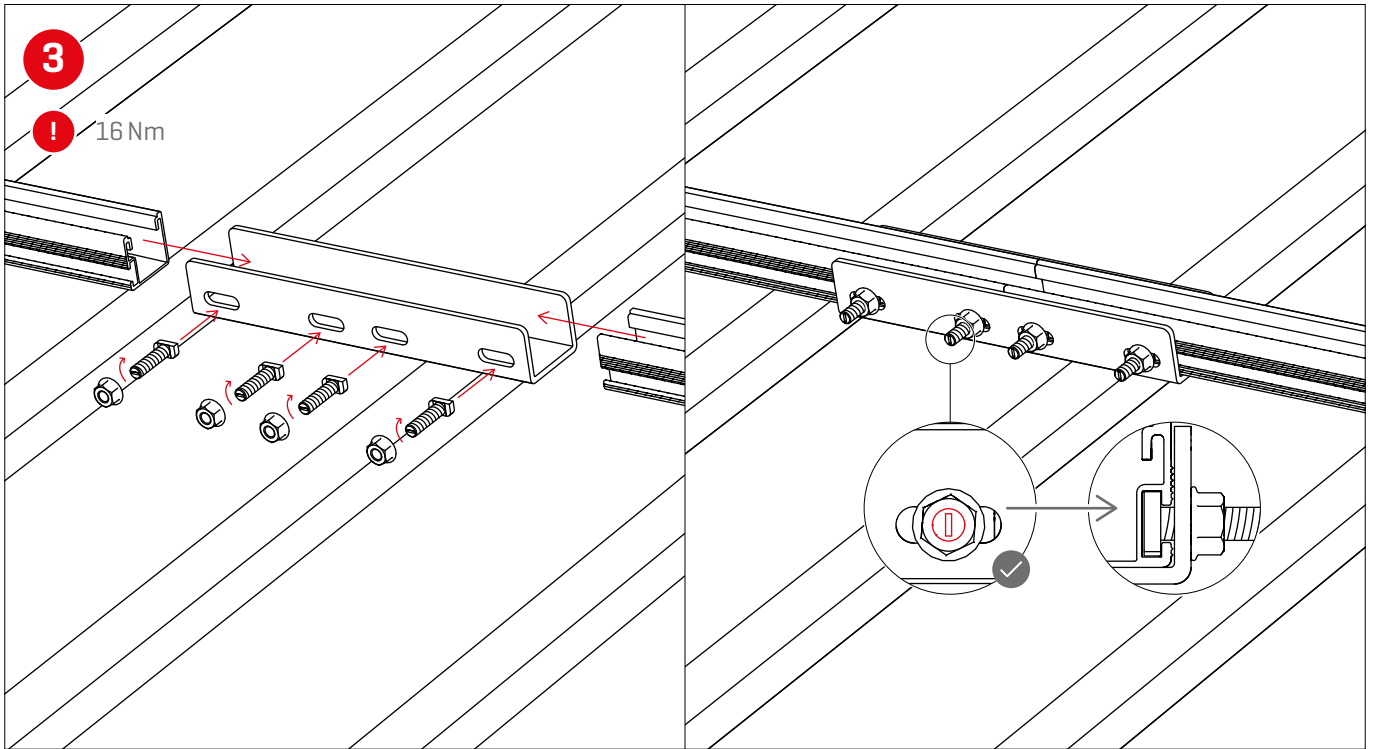


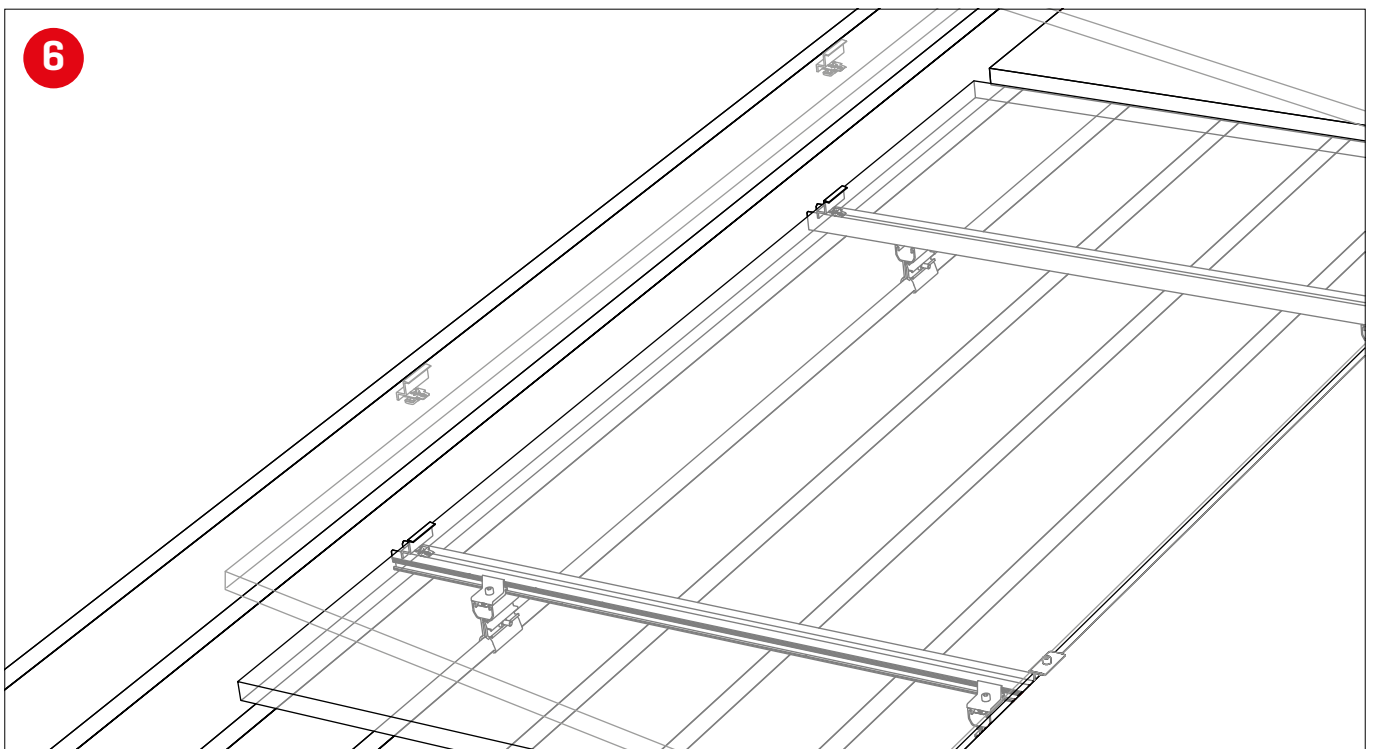
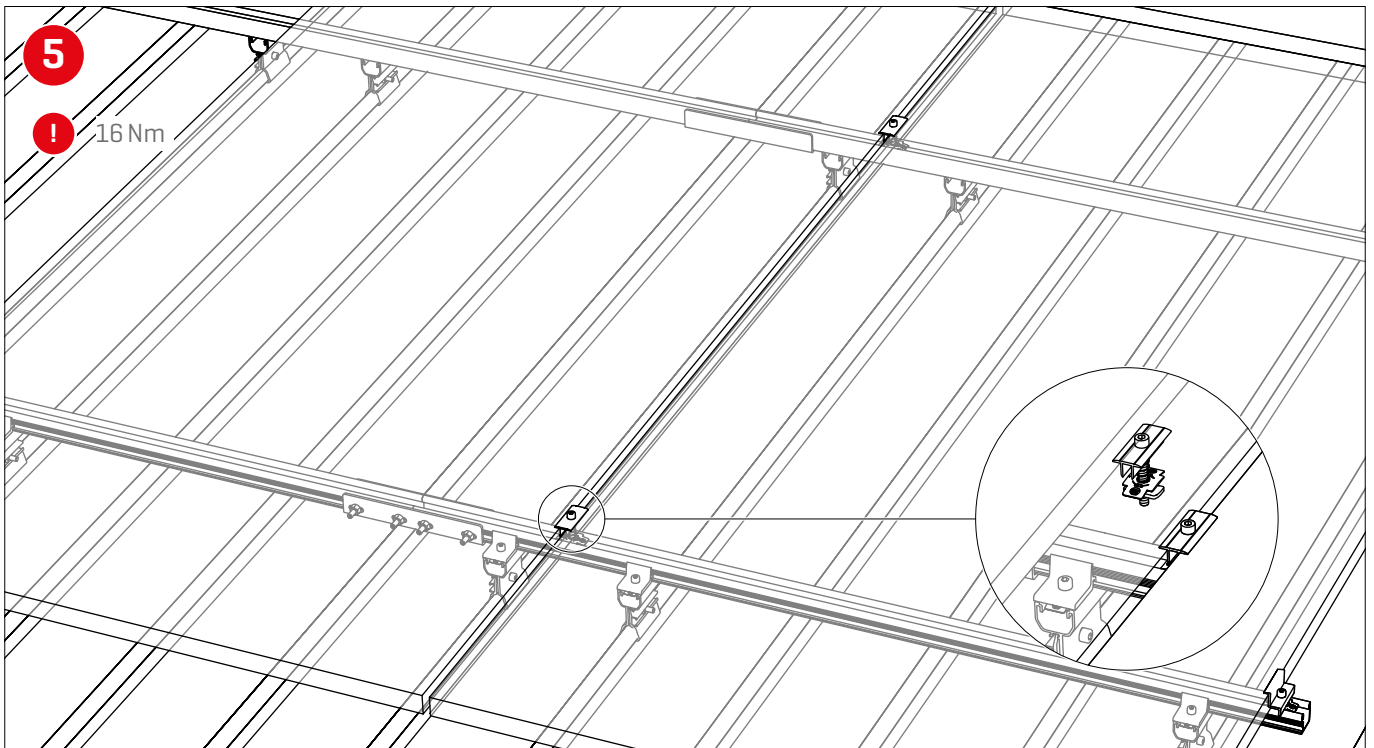


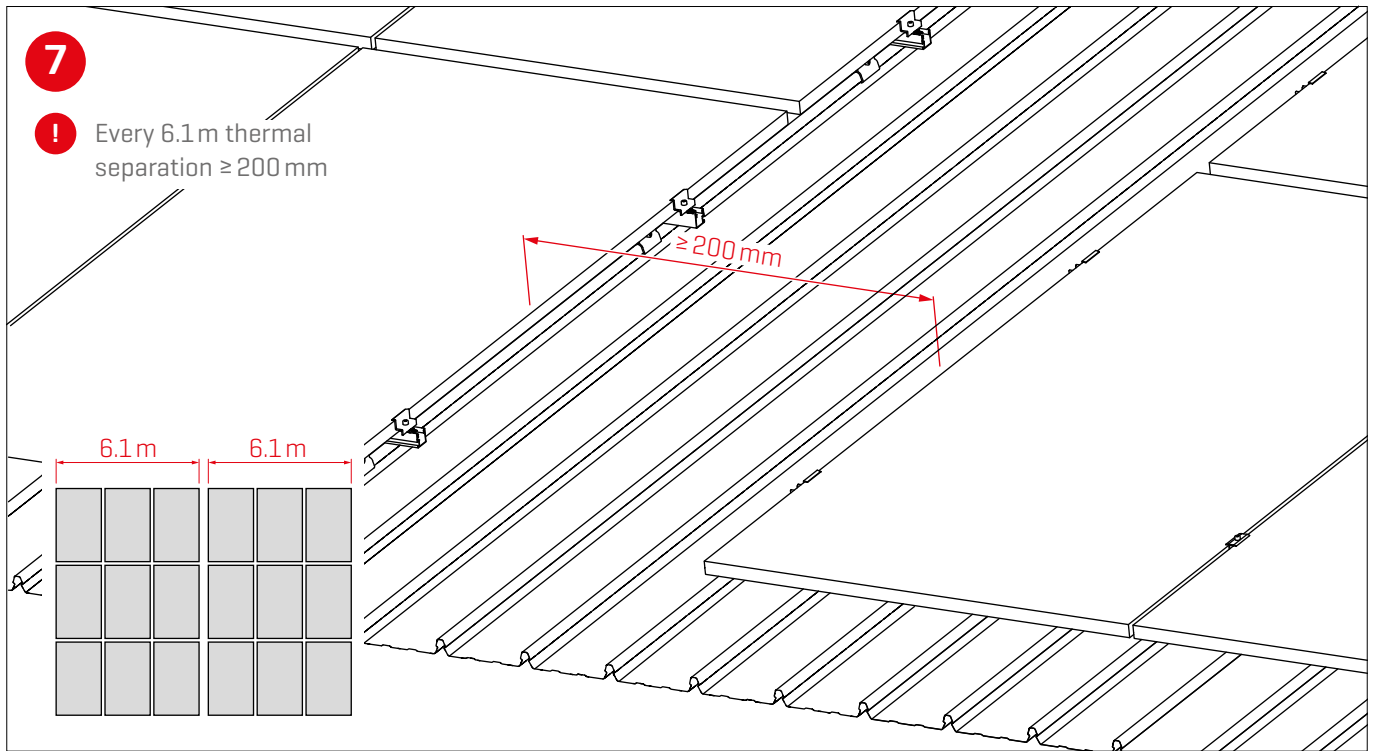


Portrait orientation and SingleRail layer





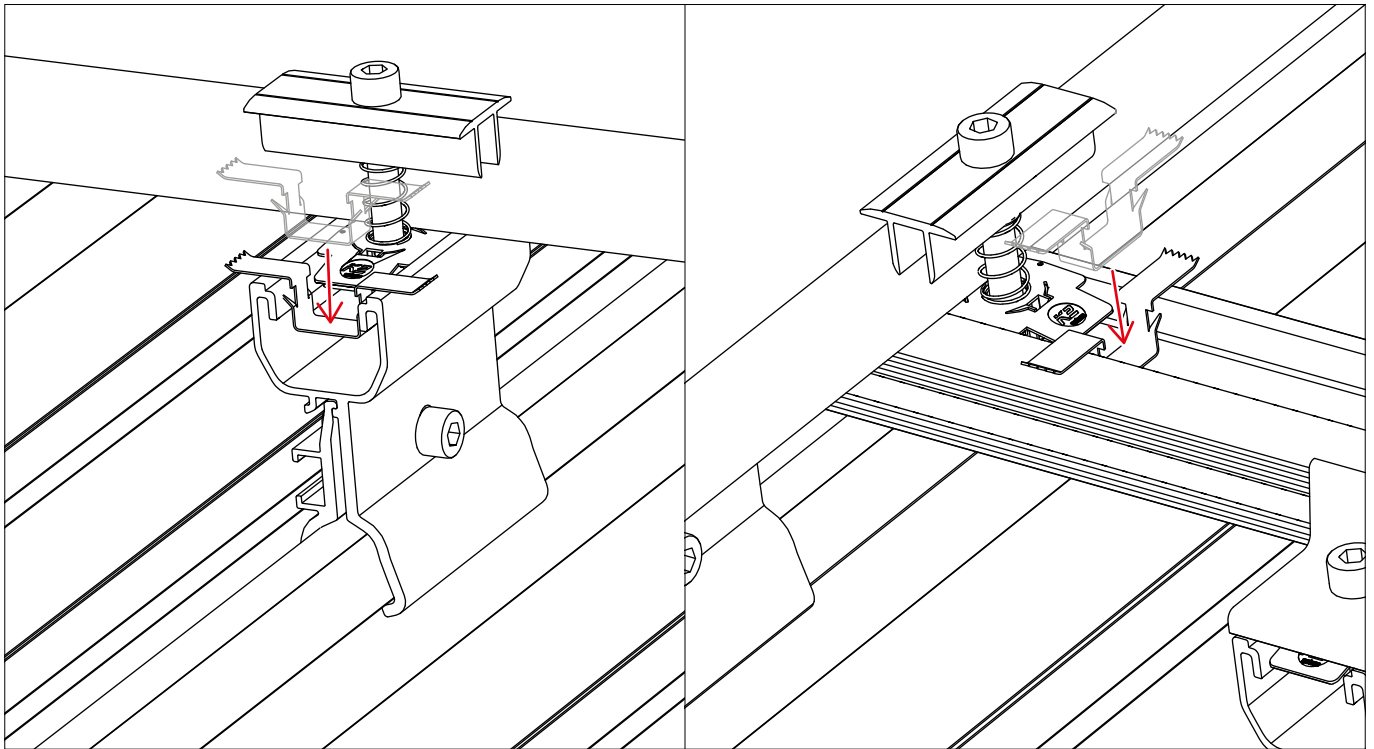




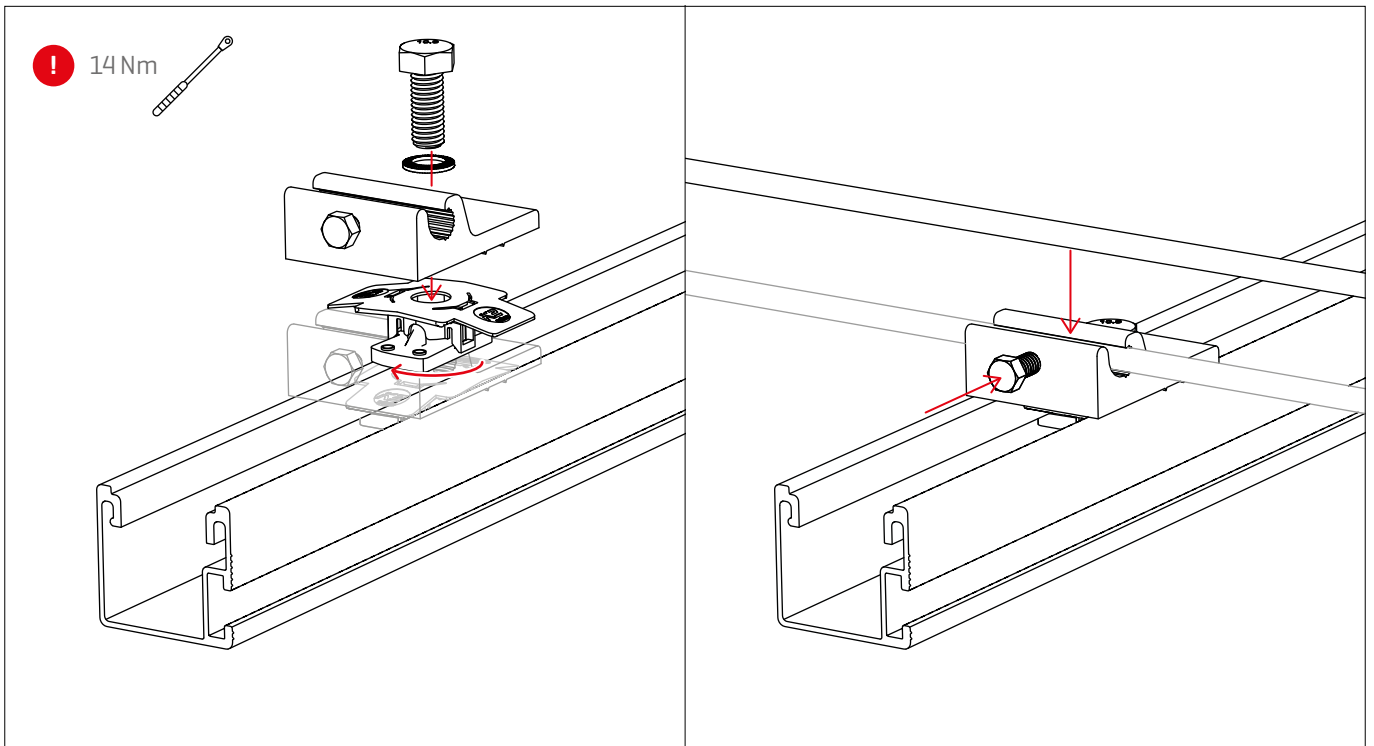
Optional assembly steps



Module frame grounding



Ground Lug installation



We support PV systems



Thank you for choosing a K2 mounting system.

Systems from K2 Systems are quick and easy to install. We hope these instructions have helped. Please contact us with any questions or suggestions for improvement.

Our contact data:

▶ k2-systems.com/en-AU/contact

▶ **Service Hotline: +61 1300 527978**

German law including Australian Building Code requirements shall apply excluding the UN Convention on CISG. Place of venue is Stuttgart.

Our General Terms of Business apply. Please refer:
k2-systems.com

K2 Systems Pty Limited

ABN: 67 640 799 695

Registered Office
Australia Square, Level 14
264 - 278 George St
Sydney NSW 2000
Australia

+61 1300 527978

info@k2-systems.com.au

www.k2-systems.com/en-AU